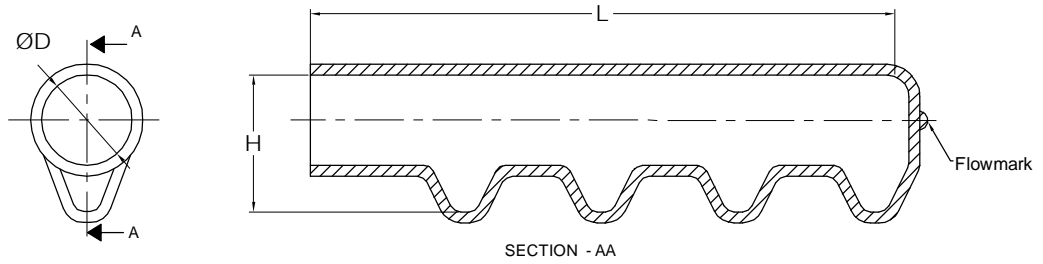




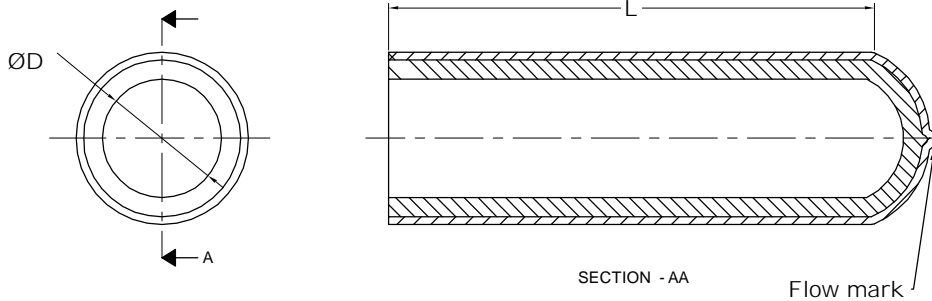
PRODUCT MODELS

GRIP COVERS/HANDLE GRIPS

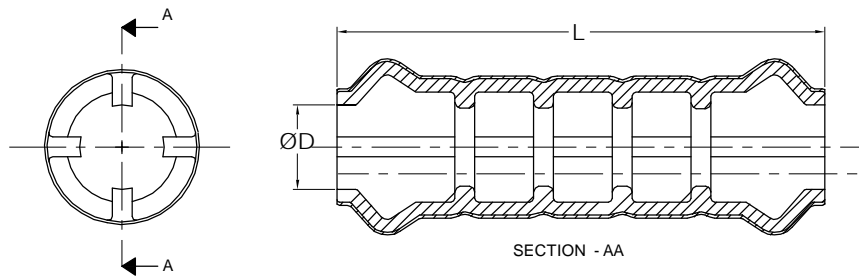
Model-1



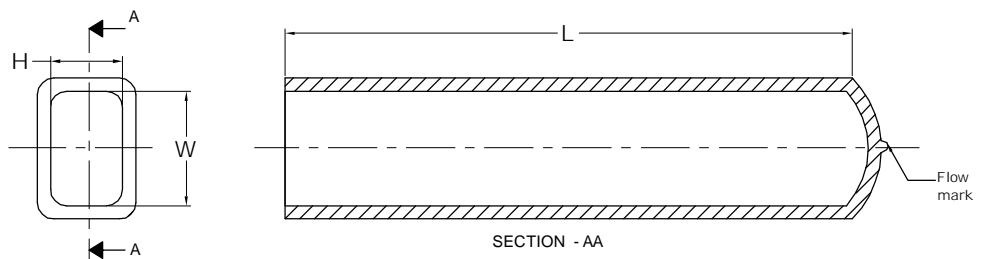
Model-2



Model-3



Model-4



- * Available finish : Glossy, Matt and Foam
- * Dual coated grip covers are also available